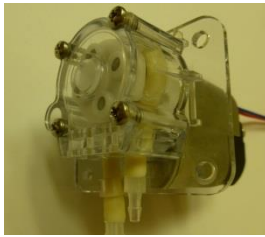


Annual Replacement Kit Installation

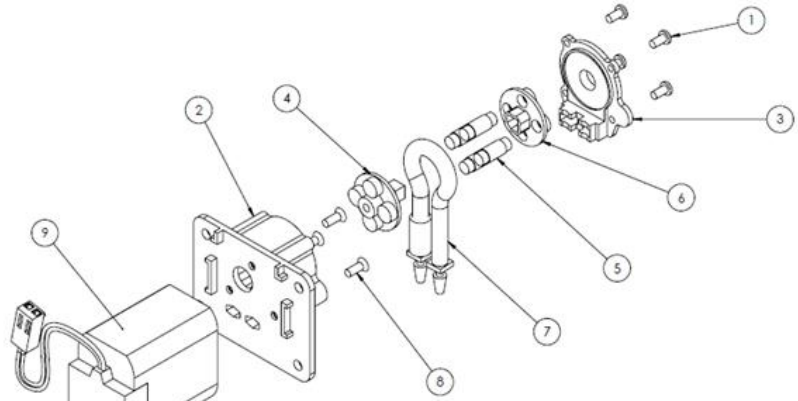
For **HYDROGUARD® HG-702 / HYDROGUARD® HG-302**



Warning:
Turn water and power OFF before beginning replacement of any analyzer component.



Replacing Pump Head

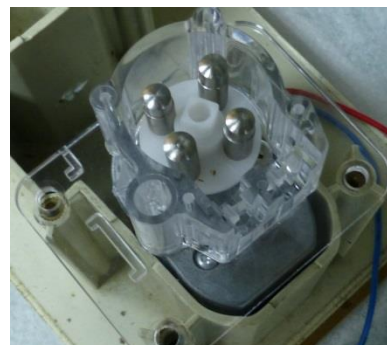


- [1] Pump housing cover pins
- [2] Pump housing base
- [3] Pump housing cover
- [4] Rotor base
- [5] Pump pins
- [6] Rotor cover
- [7] Reagent tube with straight through reduction connector
- [8] Pump housing base pins
- [9] DC gear motor

1. Remove reagent bottles.
2. Remove existing tubing to and from reagent pumps. (Use gloves, as the reagents will stain.)
3. Remove plastic pump housing cover from the existing reagent pump.
4. Remove roller and tubing from inside the pump head.
5. Remove the center screws holding the main pump body to the DC gear motor and then the screws in each corner attached to the support posts. (Save all hardware until after installation is complete.)

Installing new pump:

6. Place pump housing base [2] on DC gear motor [9] and attach with the three pump housing base pins [8], using care not to place too much pressure on the housing base (to 4 Nm)
7. Attach rotor base [4] to pump housing base.
8. Insert the four pump pins [5].



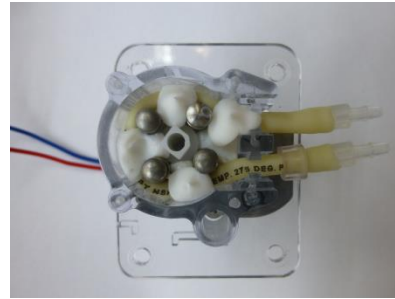
www.blueitechnologies.com

Blue I Water Technologies Ltd., 18 Ha'melacha St., Rosh Ha'ayin 4809148, Israel
Tel: +972-9-7680004, Fax: +972-9-7652331, e-mail: info@blueitechnologies.com

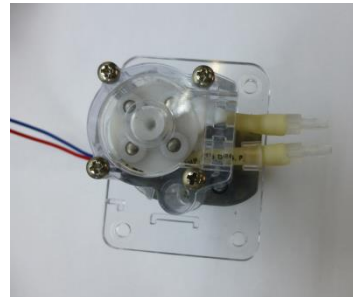
9. With a syringe apply pump grease to fill between the pins but not to cover.



10. Insert reagent tube with straight through reduction connector [7] and push into place with light pressure.
11. Make sure that the plastic bushing is on the bottom (suction side) of the pump.
12. Apply a small amount of grease to ensure the tube will not rub against the pump housing cover.

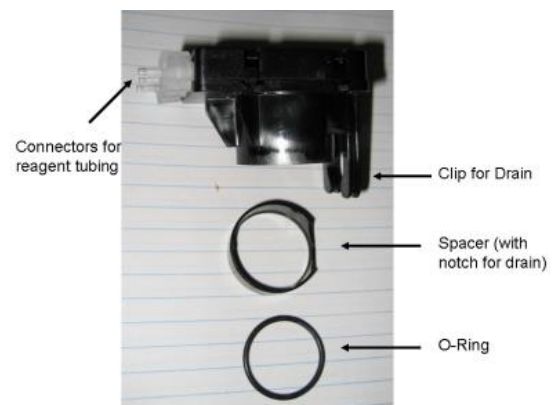


13. Attach rotor cover [6] so that square-shaped center clicks onto center of the rotor base. Bang lightly to secure.
14. Attach pump housing cover [3] and press into place. Attach with the four pump housing cover pins [1], using care not to place too much pressure on the housing base (to 4 Nm).



Replacing Colorimeter Cap (Reagent Injector)

1. Remove the existing colorimeter cap by gently pulling upwards on the existing cap until it releases from the colorimeter.
2. Using gloves, remove existing O-ring and spacer.
3. Place new spacer over the colorimeter, lining up the notch with the drain line.
4. Slide new O-ring and position touching the top of the new spacer.
5. Press new colorimeter cap in place, making sure to line up the clips with the colorimeter drain.



Replacing Reagents Tubing

Reagents Bottle to Pump Head:

1. Using gloves, remove reagent bottle.
2. Release piping from lower connection on pump head.
3. Gently pull piping through reagents pipe.
4. Replace with new tubing by threading from bottom of reagents pipe up to pump head and attaching to pump reagent tube.
5. Repeat for each pump.

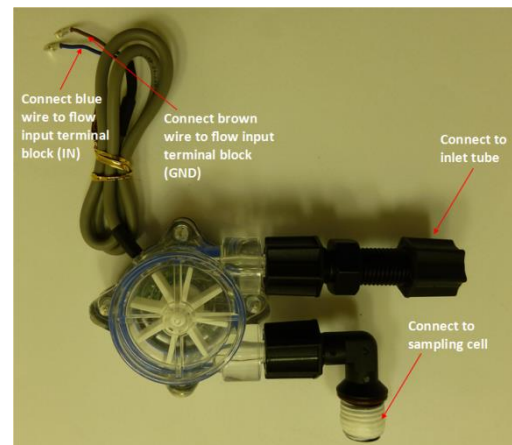
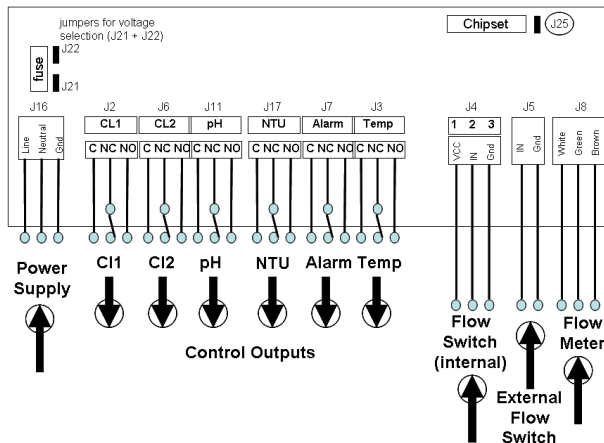
Pump Head to Colorimeter:

1. Disconnect tubing from upper connection on pump head.
2. Attach section of new tubing (21 cm for pump furthest from colorimeter) to pump head and to connector on colorimeter cap.



Replacing Flow Switch

1. Open the analyzer's electronics box and loosen screws of flow switch terminal block to release flow switch wires. (Do not remove screws completely.)
2. Loosen cable gland beneath electronics box and pull cable through.
3. Remove existing flow switch from tubing and sampling cell fitting.
4. Install new flow switch by connecting to tubing and sampling cell fitting.
5. Route the wire through the open gland of electronics box and connect to the flow switch terminal block. Tighten gland and screws.
6. Close electronics box.



Once installation is complete

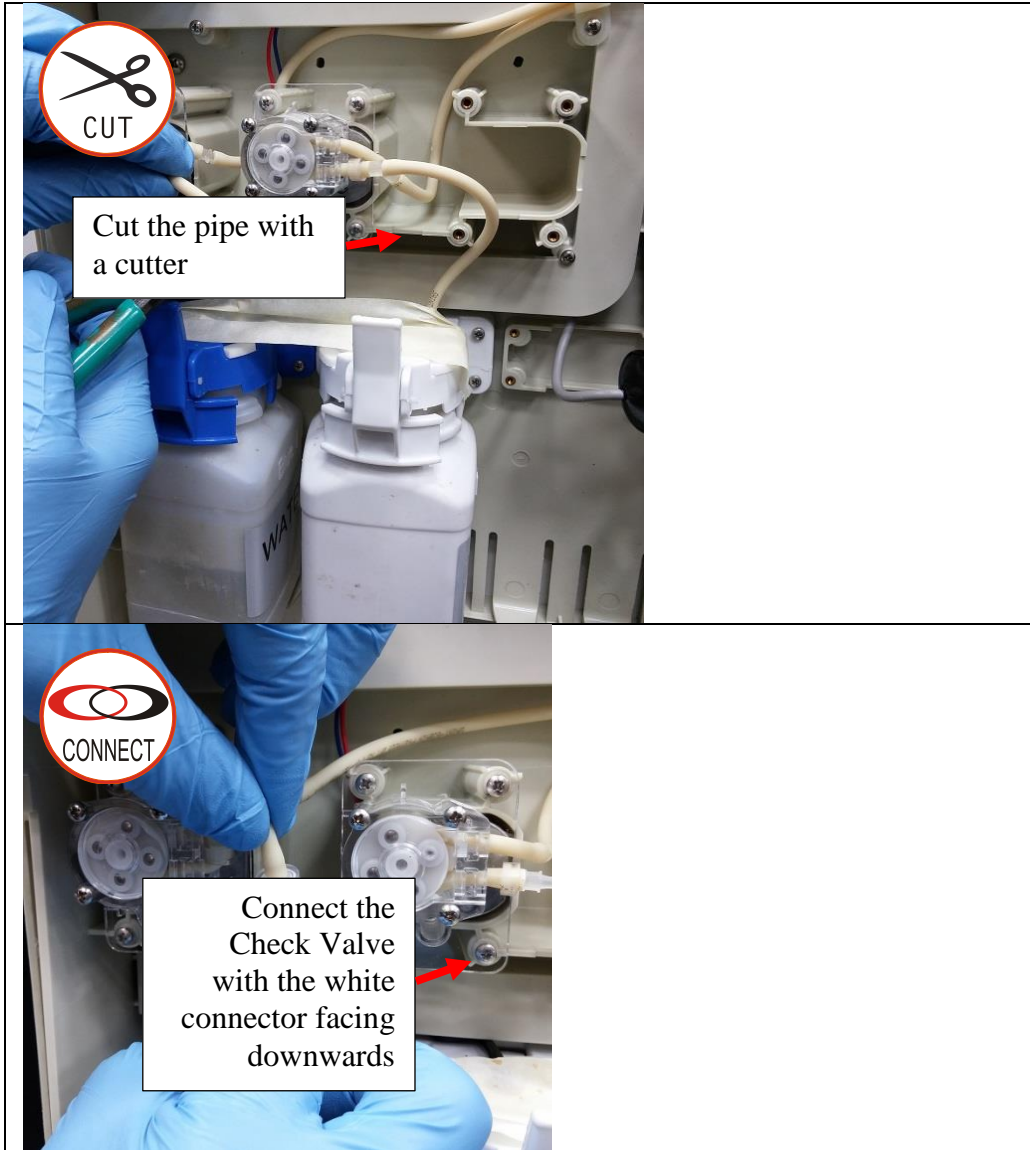
1. Turn water and power ON.
2. Check for leaks.
3. Replace reagents.
4. Check for proper flow switch operation (i.e., no flow alarm). Re-prime the reagent pumps for 90 seconds to ensure all pump tubing is carrying reagent.

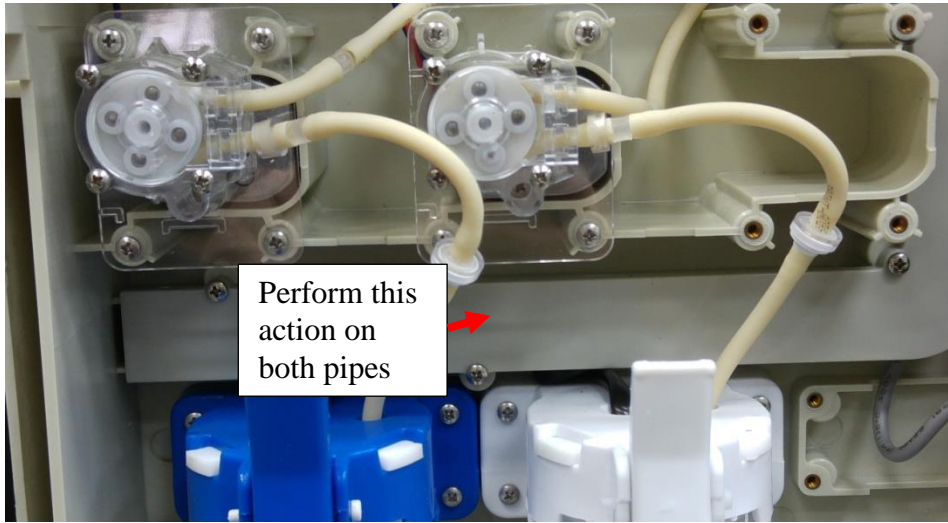


Instruction sheet for new Check Valve

					
DESCRIPTION : Assembly for the new check valve on reagent tubing. SCV67220-CHECK VALVE Barb for 3/32" (2.4 mm) ID tubing SCV67220 x 3/32" (2.4 mm) ID tubing					
Used in product: HG-302/HG-702					
CAT. Part No : 970-110-8086					
Work Check No.	REV. A	APPROVED	DATE 04/01/2016	NAME Daniel Cohen Khallas	SIG. <i>Daniel Cohen Khallas</i>
		BY :	SHEET 4 Of 2		







**Note : In case you have a Free and Total Analyzer, you need to install a Check Valve also on the DPD3 tube.*

Blue I Water Technologies



www.blueitechnologies.com

Blue I Water Technologies Ltd., 18 Ha'melacha St., Rosh Ha'ayin 4809148, Israel
Tel: +972-9-7680004, Fax: +972-9-7652331, e-mail: info@blueitechnologies.com